

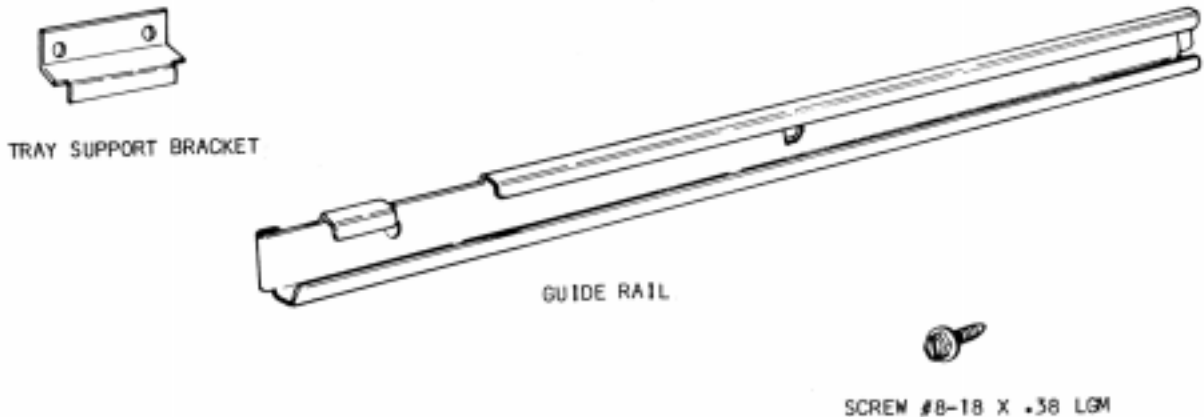
**INSTRUCTIONS FOR
KIT PART NUMBER 1451217
GUIDE RAIL REPLACEMENT
AND
ACCESSORY ASSEMBLY**

CHECK THE PARTS RECEIVED IN THE KIT WITH THE PARTS LIST IN THESE INSTRUCTIONS. IF ANY PARTS ARE MISSING, CONTACT NATIONAL VENDORS' PARTS DEPARTMENT IMMEDIATELY.

Read these instructions carefully and completely before installing the kit. Retain these instructions for part numbers and for future reference.

This kit contains the following: Refer to Figure 1.

Part Number	Description	Quantity
1451215	L.H. - Guide Rail	1
1451216	R.H. - Guide Rail	1
1451218	Bracket - Tray Support	2
4721035	Screw #8-18 x .38 LGM	4
1451219	Installation Instructions	1



REMOVAL OF OLD GUIDE RAILS (See Figure 2)

1. Remove trays for easy access to the sidewalls.
2. Remove the screw that secures the ramp near the front of each of the rails and remove the ramps.
3. Remove the old guide rails.

INSTALLATION OF NEW GUIDE RAILS AND REPLACEMENT OF RAMPS

1. Install the new guide rails where the old guide rails had been.
2. Position the ramps and secure with the screws removed previously.

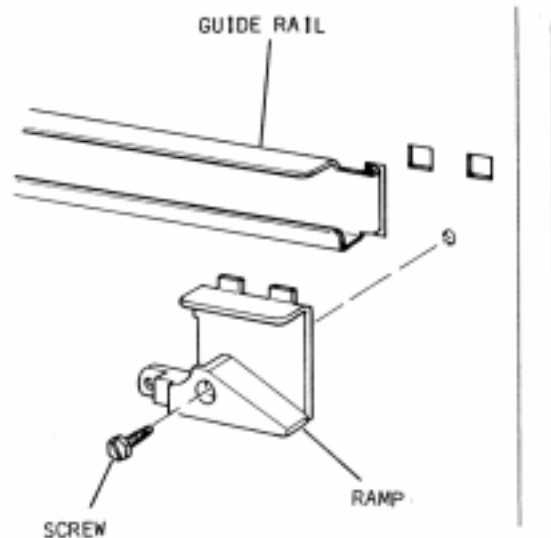


FIGURE 2

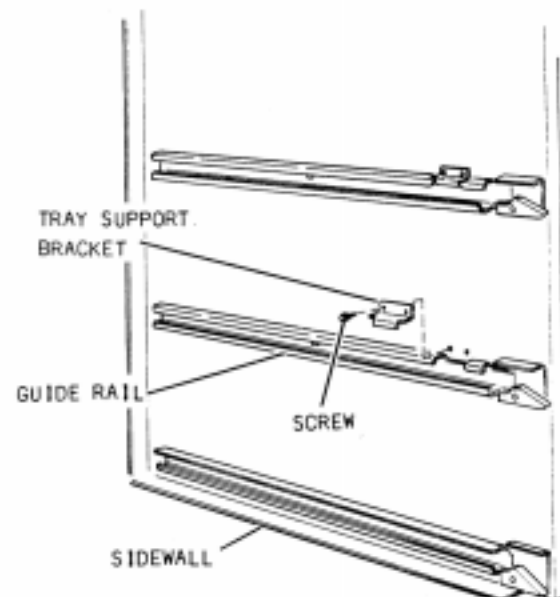


FIGURE 3

INSTALLATION OF THE TRAY SUPPORT BRACKET

1. Position the tray support bracket as shown in the top part of Figure 3.
2. Use the bracket as a template and mark centers for the mounting holes.
3. Use a #38 (.101 dia) bit to drill the mounting holes in the sidewall.
4. Secure the bracket to the sidewall using the #8-32 x .38 LGM screws included in the kit. See middle part of Figure 3.

INSTALLATION OF TRAY

1. The guide rail, ramp and tray support bracket should all be securely mounted on the sidewall. This should be verified.
2. Return all of the trays to the merchandiser.